

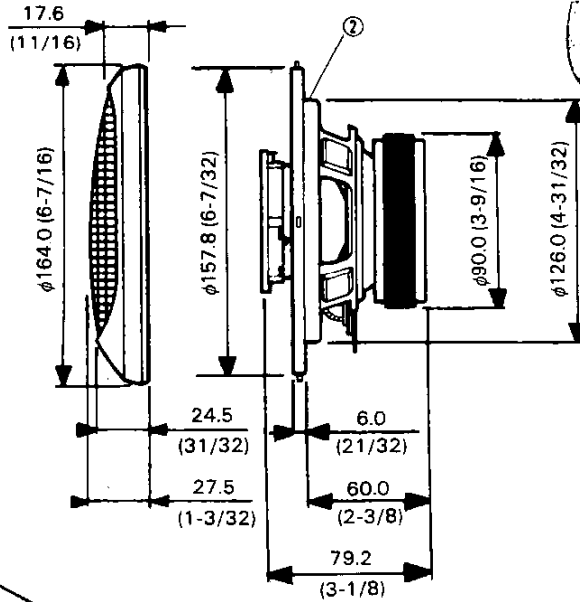
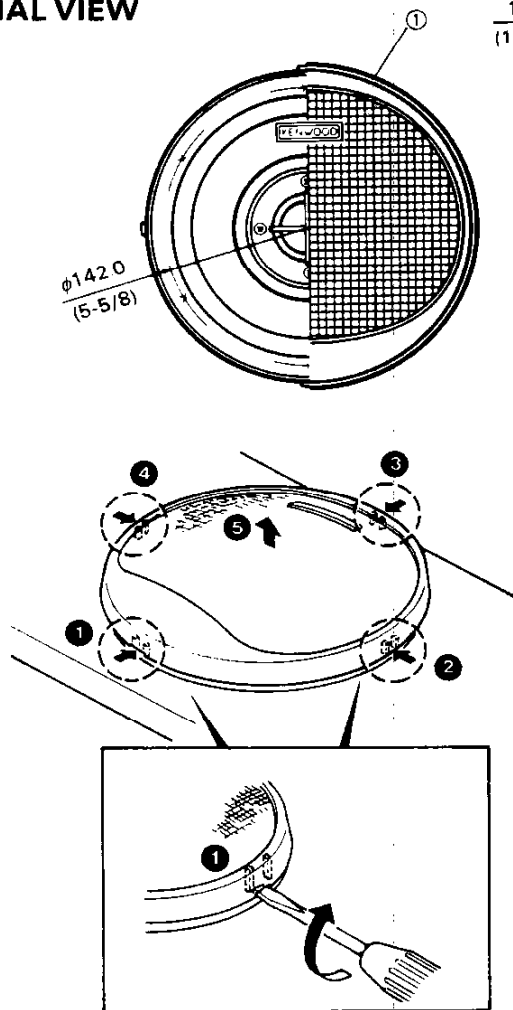
KFC-1691

SERVICE MANUAL

KENWOOD

© 1986-12 PRINTED IN JAPAN
B51-3105-00 (G) 2015

EXTERNAL VIEW



Unit: mm (inch)

To remove the front grille, pry out the cut off portions ① to ④ with a (-) screwdriver in turn as shown in the left figure.

PARTS LIST

* New Parts

Parts without Parts No. are not supplied.

Les articles non mentionnes dans le Parts No. ne sont pas fournis.

Teile ohne Parts No. werden nicht geliefert.

SPECIFICATIONS

Speakers

- Woofer..... 358g (12.6 oz) Magnet
16cm (6") Poly cone, Ribbon coil
- Tweeter..... 25mm (1") Titanium dome type
- Peak power..... 150 watts
- Sensitivity..... 88 dB/w at 1m
- Impedance..... 4 ohms
- Insulated cable..... 4.5m (14.7ft) 2 pcs
- Weight per speaker with grille..... 1.38kg (3 lbs 1 oz)

Ref.No.	New Parts	Parts No.	Description	Destination
①	*	B06-0254-08	FRONT GRILLE	E
①	*	B06-0255-08	FRONT GRILLE	T
	*	E30-1181-08	SPEAKER CORD SET	
	*	N99-1044-08	SCREW SET	
②	*	T15-0087-08	SPEAKER (DOME)	E
②	*	T15-0091-08	SPEAKER (DOME)	T